

ZERO EMISSIONS

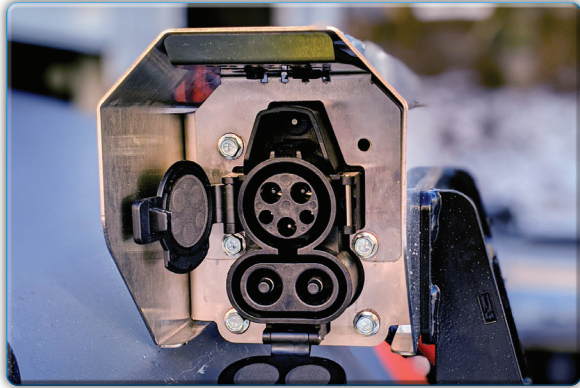


K270E / K370E



KENWORTH.
The World's Best.

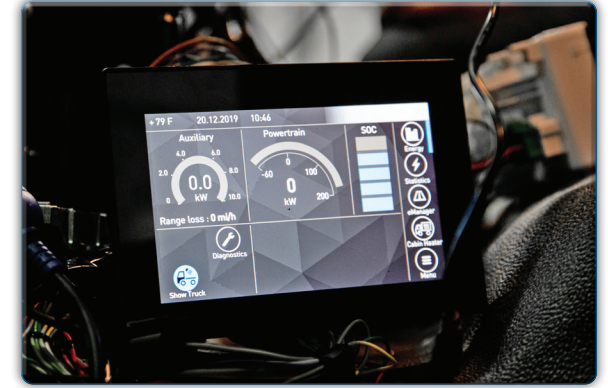
K270E / K370E ELECTRIC VEHICLE



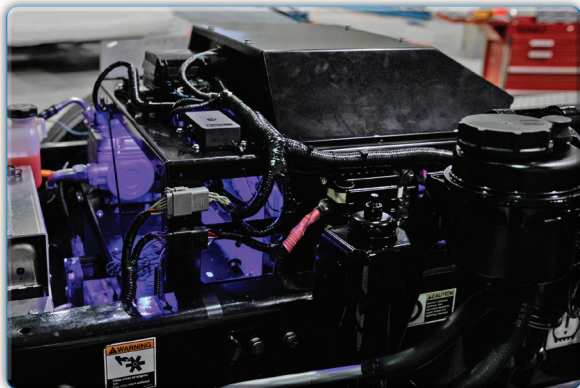
J1772 Charger



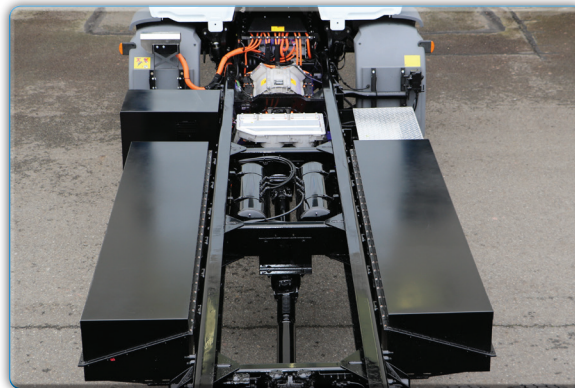
E-Motor



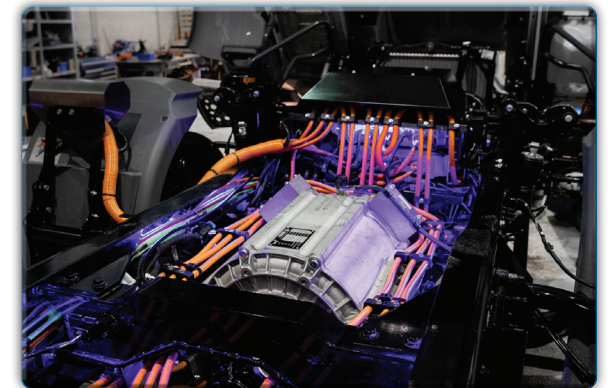
Display



Power Cradle



Frame Layout

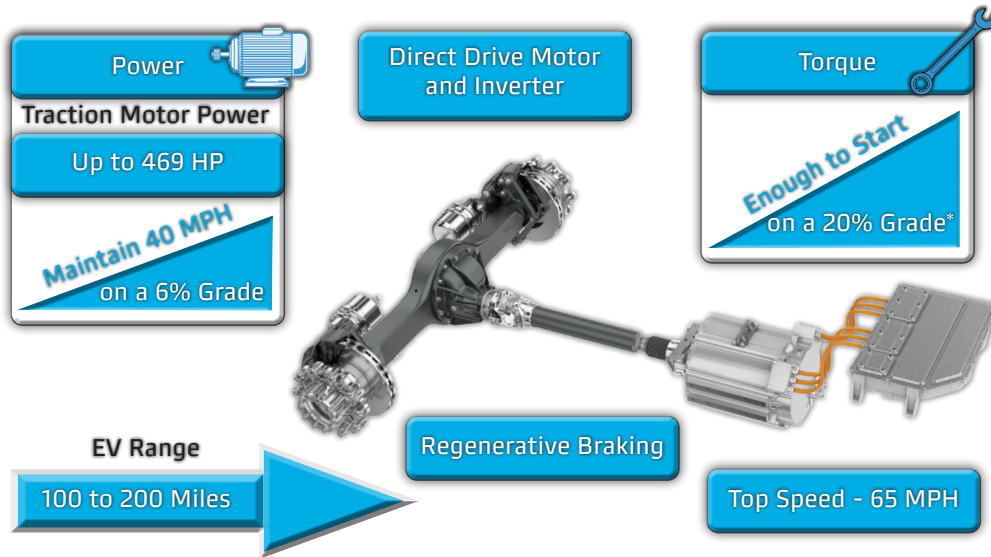


E-Motor and Cradle

INTRODUCING KENWORTH'S ZERO-EMISSION, BATTERY-ELECTRIC TRUCKS

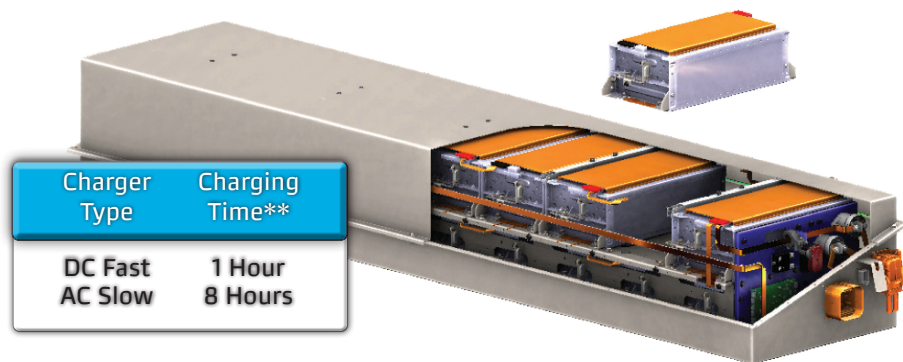
As you look for ways to meet increasingly stringent urban restrictions on noise and emissions, we have a solution: Kenworth K270E Class 6 and K370E Class 7 battery-electric trucks. These popular – and proven – platforms combine fully-integrated, state-of-the-art electric powertrains with superior visibility, maneuverability and driver comfort. High-density battery packs deliver up to a 200 mile range with zero emissions and a rapid one-hour DC re-charge. Perfect for local distribution, pickup and delivery and last mile logistics applications.

Practical & Proven Performance



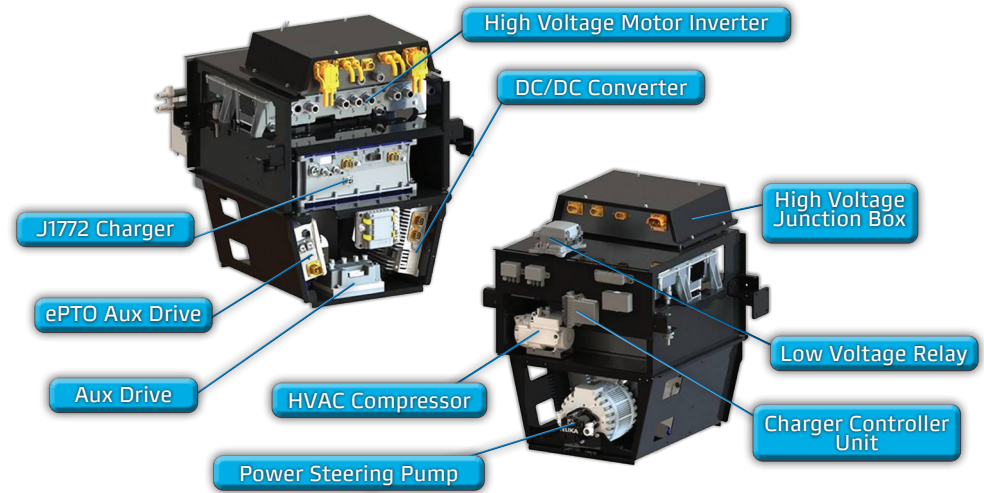
Choose from two direct-drive motors rated at 355 hp and 469 hp, depending on your application. This highly efficient design provides enough torque to start the load from a stop on a 20% grade and the power to maintain 40 mph on a 6% grade while fully loaded. Regenerative braking in stop-and-go city conditions recharges the battery and extends brake life.

Flexible Lithium Ion Battery Options



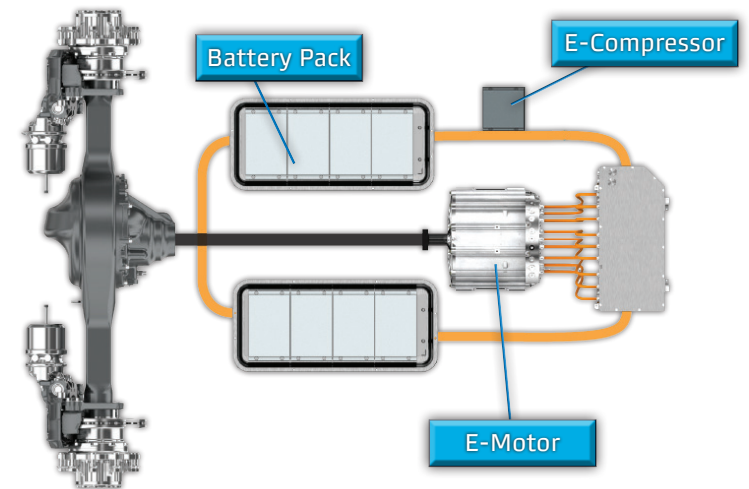
Select from 141 kWh and 282 kWh battery packs for driving ranges of 100 and 200 miles, respectively, on a single charge. Ideal for local and regional distribution. The high-energy density battery packs can be fully recharged in under an hour using the DC fast-charging system. End-of-shift and overnight AC charging is also available.

Compact Designed Power Cradle



All of the components necessary to run the e-powertrain, as well as HVAC, are located in one, easy-to-reach power cradle under the cab - the space typically occupied by a diesel engine.

Precision Engineered Frame Layout



Fully integrated and perfectly balanced, the system configuration optimizes weight distribution with batteries mounted outside and air tanks mounted inside the frame rails. A quiet E-Compressor maintains pressure in the air system.

K270E / K370E Medium Duty Specifications



KENWORTH
THE WORLD'S BEST.

E-Motor

- HV2600, 355HP (6-Phase Inverter)
- HV3500, 469HP (9-Phase Inverter)

Equipment

- Two PACCAR 700 CCA Batteries
- Two PACCAR 1000 CCA Batteries

Gross Axle Weight Rating

- K270E Front 10,000 lbs.
- K370E Front 12,000 lbs.
- K270E Rear 16,000 lbs.
- K370E Rear 21,000 lbs.
- Rear Axle Ratio 5.57
- Rear Axle Ratio 4.63 with 19.5" Tires

Suspensions

- Front Suspension - Parabolic Spring
- Rear Suspension - Reyco Mechanical
- Rear Suspension - Hendrickson HAS210 or HAS230 Air Ride

Wheels / Tires / Brakes

- Wheels - 22.5" Steel Painted White
- Wheels - 19.5" Steel Painted White
- Aluminum Wheels
- Tires - F/R: Bridgestone 11R22.5"
- Tires - F/R: Bridgestone 19.5"
- Brakes - Front and Rear Drum
- Front Air Disc

Frame

- 33.9" Frame Spacing
- Steel Painted Gray Bumper
- Section Properties Per Rail - Frame Section Modulus RBM 11.65 Cu In, 1,398,664 lb/in

Electrical System

- Exterior Lighting 12 Volt
- Two 12-Volt Power Ports in Cab
- Body Builder Connections 12 Volt

Cab

- Hydraulic 55 Degree Tilting Steel Cab
- K270E/K370E 71.2" Top of Frame Rail to Top of Cab - 22.5" Tires
- K270E/K370E 52.2" Bumper to Center of Front Axle - 22.5" Tires
- 82.5" Cab Width
- Driver Seat - Air Suspension
- Passenger Seat - 2-Person Bench
- Passenger Seat - Single Person Air Ride
- Center Storage Console and Cupholders
- Heater and Air Conditioning
- Cruise Control
- Power Windows
- Power Mirrors
- Heated Mirrors
- Doors Open 90 Degrees

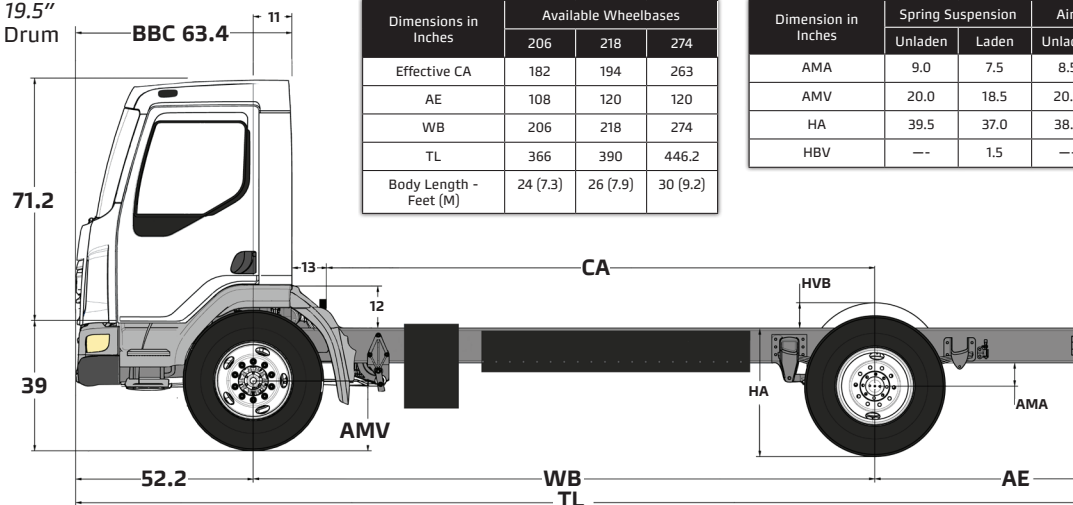
- Cab Suspension - Maintenance-Free
- Outside Air Temperature Display
- Coolant Temperature Display
- Dual Air Pressure Gauges
- AM/FM/WB/USB, Bluetooth Radio
- AM/FM/CD/WB/USB, Bluetooth Radio

Paint

- Cab - Ice White Axalta N8870
- Frame - Black **Standard Chassis Configuration**

Options

- Speakers and Wiring for Customer Installed Radio
- Rear Shock Absorbers - Reyco
- Rear Axle Stabilizer Bar - Reyco
- Rear Differential Lock
- Rear Mud Flap Hanger & Shields
- Backup Alarm
- Wiring Only for Customer Installed Backup Alarm
- Orange Seat Belts
- Red Seat Belts



Optional Items Shown in Italics



KENWORTH TRUCK COMPANY
P.O. Box 1000
Kirkland, Washington 98083-1000
(425) 828-5000

CANADIAN KENWORTH COMPANY
6711 Mississauga Road N.
Mississauga, Ontario L5N 4J8
(905) 858-7000

**Charge Time Varies Based On kW Charge Rate.



Note: Equipment and specifications shown in this brochure are subject to change without notice. Consult with your Kenworth dealer at time of ordering for standard and optional equipment.